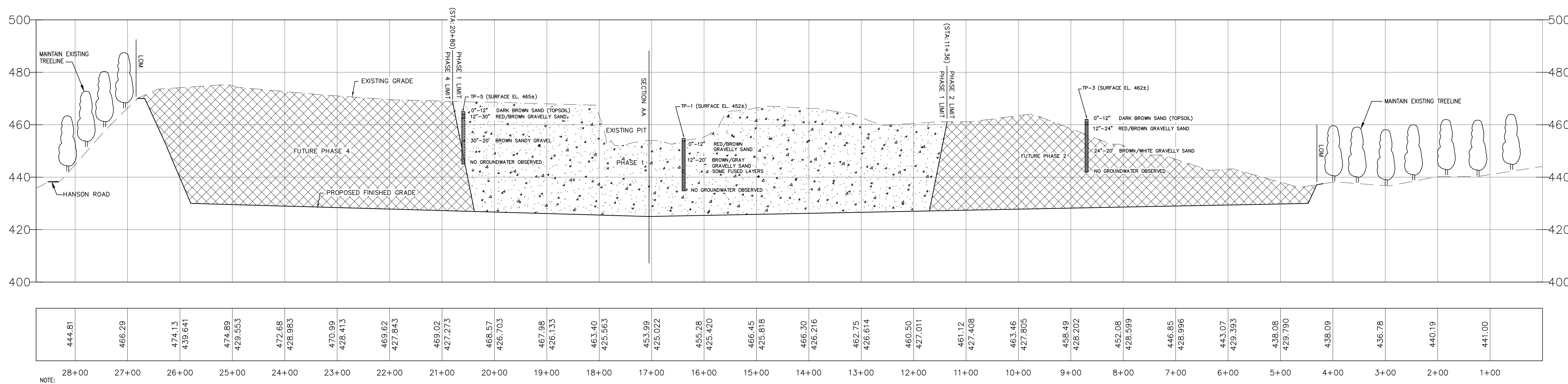
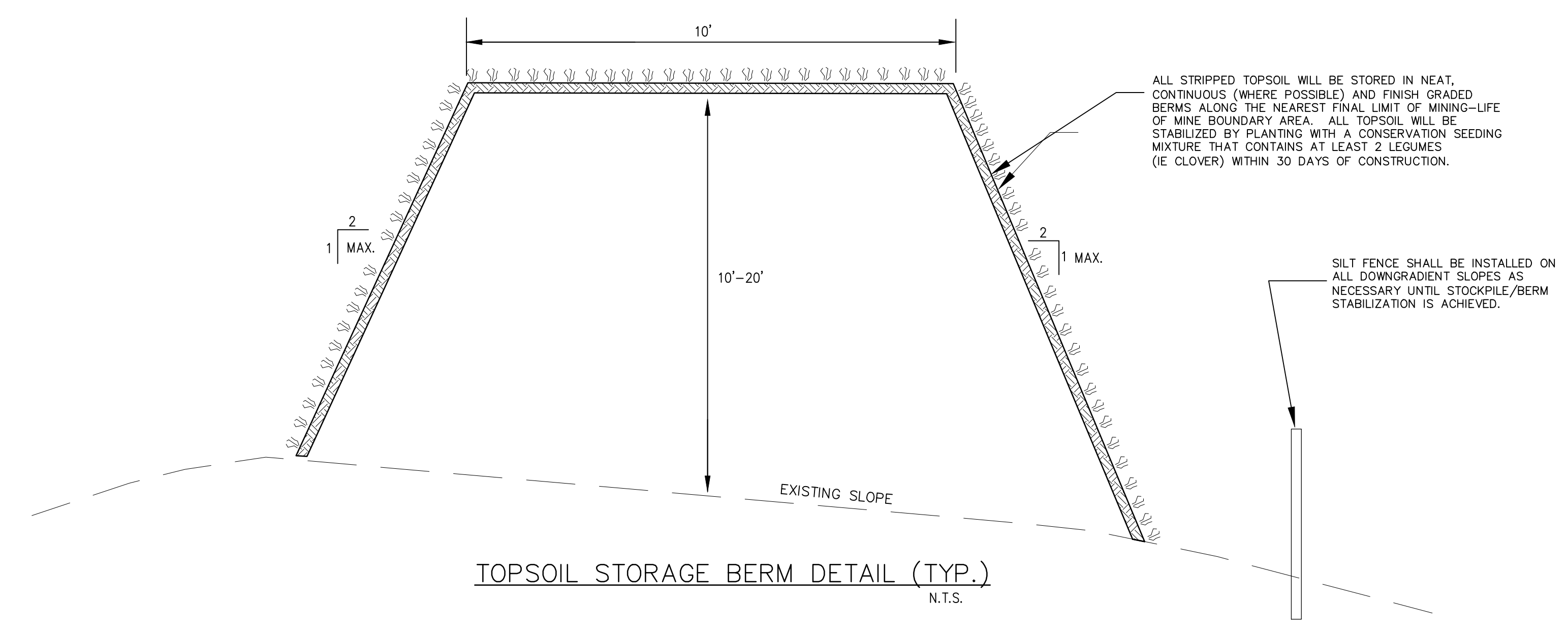


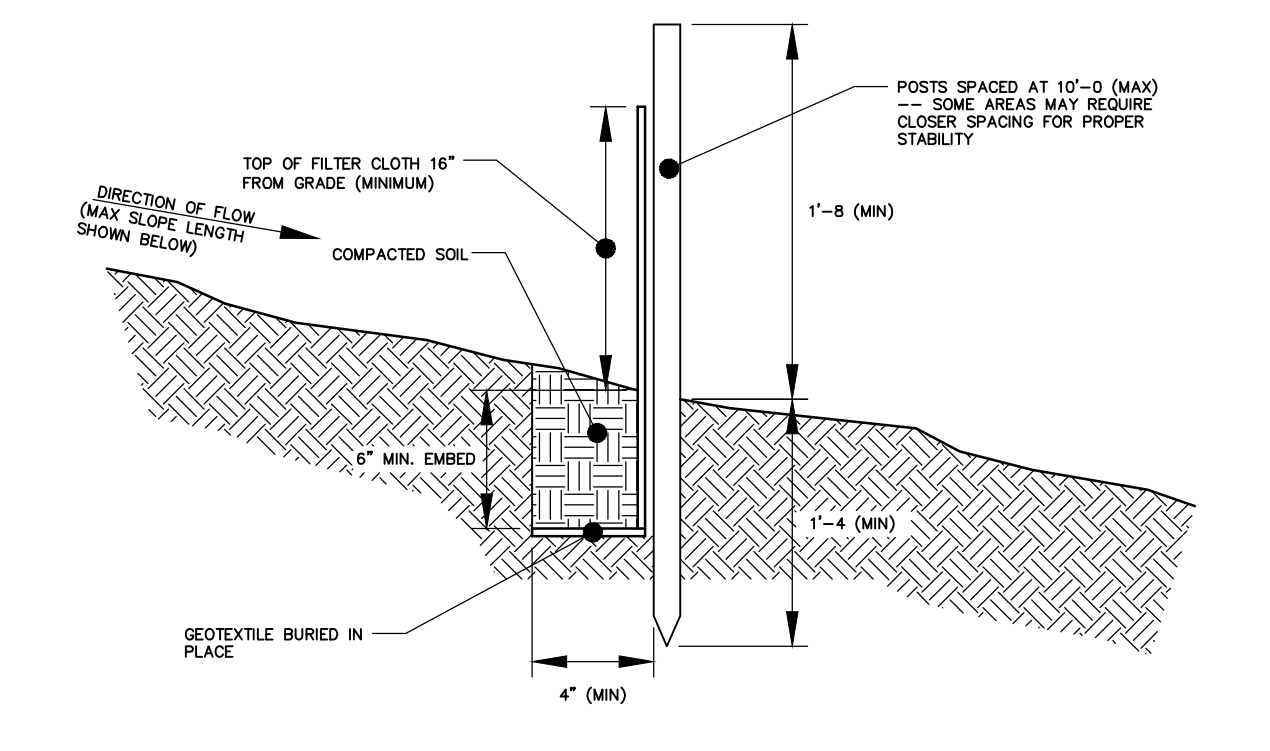
NOTE:
FINAL DEPTHS ARE BASED ON DEEP TEST HOLES CONDUCTED ON NOVEMBER 14, 2011. SINCE GROUNDWATER CONDITIONS CAN FLUCTUATE DUE TO WEATHER CONDITIONS AND TIME OF YEAR, ADDITIONAL TEST PITS OR BORINGS SHALL BE CONDUCTED EACH SEASON PRIOR TO COMMENCEMENT OF MINING ACTIVITIES TO ENSURE REQUIRED 5' SEPARATION IS MAINTAINED BETWEEN THE MINE FLOOR DEPTHS AND THE MAXIMUM ANNUAL WATER TABLE.

SECTION A-A'
SCALE:
HORIZ. 1" = 100'
VERT. 1" = 20'



NOTE:
FINAL DEPTHS ARE BASED ON DEEP TEST HOLES CONDUCTED ON NOVEMBER 14, 2011. SINCE GROUNDWATER CONDITIONS CAN FLUCTUATE DUE TO WEATHER CONDITIONS AND TIME OF YEAR, ADDITIONAL TEST PITS OR BORINGS SHALL BE CONDUCTED EACH SEASON PRIOR TO COMMENCEMENT OF MINING ACTIVITIES TO ENSURE REQUIRED 5' SEPARATION IS MAINTAINED BETWEEN THE MINE FLOOR DEPTHS AND THE MAXIMUM ANNUAL WATER TABLE.

SECTION B-B'
SCALE:
HORIZ. 1" = 100'
VERT. 1" = 20'



MAXIMUM ALLOWABLE SLOPE LENGTHS CONTRIBUTING RUNOFF TO A SECTION OF SILT FENCE SHALL BE AS FOLLOWS:

SLOPE STEEPNESS	MAX. SLOPE LENGTH
2:1	25 FT
3:1	50 FT
4:1	75 FT
5:1 OR FLATTER	100 FT

NOTE: MAXIMUM DRAINAGE AREA FOR OVERLAND FLOW TO SILT FENCE SECTION SHALL NOT EXCEED 1/4 ACRE PER 100 FT OF FENCE. CONCENTRATED DRAINAGE OF RUNOFF LADEN WATER SHALL NOT BE ALLOWED TO FLOW DIRECTLY TO THE FENCE.

SILT FENCE INSTALLATION DETAIL
(NOT TO SCALE)

- INSTALL SILT FENCE IN ACCORDANCE WITH THE "NEW YORK STANDARDS AND SPECIFICATIONS FOR EROSION AND SEDIMENT CONTROL", SECTION 5A.
 - FILTER CLOTH TO BE TO BE FASTENED SECURELY TO POSTS.
 - WHEN TWO SECTIONS OF FILTER CLOTH ADJOIN EACH OTHER THEY SHALL BE OVERLAPPED BY SIX INCHES AND FOLDED.
 - MAINTENANCE SHALL BE PERFORMED AS NEEDED AND SEDIMENT REMOVED WHEN ACCUMULATION REACHES 1/2 OF DESIGN CAPACITY OF FENCE (1/2 HEIGHT OF FILTER FABRIC) OR WHEN "BULGES" DEVELOP IN FENCING.
- POSTS: STEEL EITHER 1" OR 1 1/2" TYPE OR 2" HARDWOOD
- FILTER CLOTH: FILTER K, MIRA1, 100X, STABILIZED THICK, OR APPROVED EQUAL
- PREFABRICATED UNIT: GEOFAB, ENVIRONMENT, OR APPROVED EQUAL

NOTE: 48 HOURS PRIOR TO ANY CONSTRUCTION ACTIVITIES, THE CONTRACTOR SHALL CONTACT DIG SAFELY NEW YORK TO LOCATE ALL UNDERGROUND UTILITIES. 1-800-962-7962

NO.	DATE	REVISIONS	BY:

UNAUTHORIZED ALTERATION OR ADDITION TO THIS DRAWING IS A VIOLATION OF SECTION 7209 SUBDIVISION 2, OF THE NEW YORK STATE EDUCATION LAW. ONLY COPIES MADE FROM THE ORIGINAL OF THIS DRAWING BEARING AN ORIGINAL INKED OR EMBOSSED SEAL AND SIGNATURE SHALL BE CONSIDERED TO BE VALID TRUE COPIES.

© Copyright 2011 - Ingalls & Associates, LLP - All rights reserved.

DAVID F. INGALLS JR., P.E.
N.Y.S. LIC. NO. 264923

ingalls
ingalls & associates, LLP
engineers / surveyors
2602 WILHELMINA AVENUE
SPRING VALLEY, N.Y. 12589
PHONE: (518) 398-7200
FAX: (518) 398-2824

CROSS-SECTIONS
WD MALONE TRUCKING & EXCAVATING, INC
JOHNSON ROAD & HANSON ROAD
COUNTY OF OSWEGO STATE OF NEW YORK
TOWN OF NEW HAVEN
DATE: NOVEMBER 11, 2011
CHECKED BY: DJ
JOB NO. 11-116
SCALE: AS SHOWN
DRAWN BY: RYF
CADD FILE: DF
SHEET 3 OF 3

FOR INFORMATION ONLY
NOT FOR CONSTRUCTION